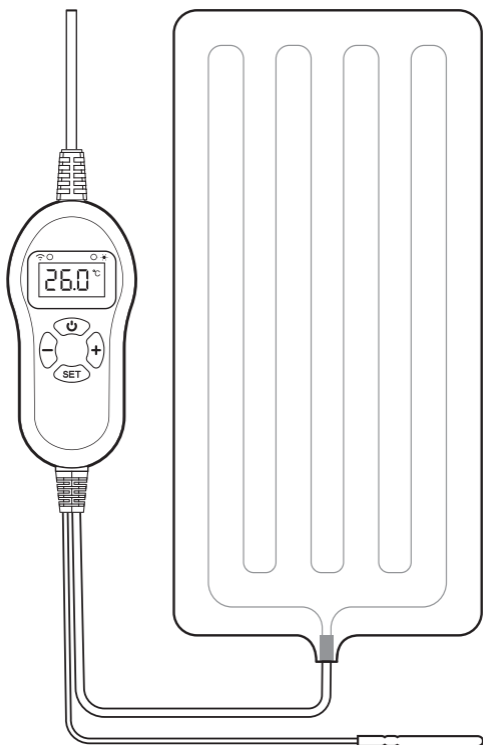


# LUXEIRD



## HEAT MAT WITH WIFI THERMOSTAT

U S E R M A N U A L



Please keep this manual properly for reference. You can also scan the QR code to visit our official website for product usage videos. For any usage issues, please feel free to contact us at [cs@luxbird.com](mailto:cs@luxbird.com).

Wenn Sie eine Bedienungsanleitung in deutscher Sprache benötigen, scannen Sie bitte den QR-Code und besuchen Sie unsere Website, um sie zu erhalten und ein Video über die Verwendung des Produkts zu sehen.

Se avete bisogno di un manuale di istruzioni in italiano, scansionate il codice QR e visitate il nostro sito web per ottenerlo e vedere un video su come utilizzare il prodotto.

Si vous avez besoin d'un mode d'emploi en français, veuillez scanner le code QR pour visiter notre site officiel afin d'obtenir et de visionner la vidéo d'utilisation du produit !

Als je een Nederlandstalige handleiding nodig hebt, scan dan de QR-code om naar onze officiële website te gaan en bekijk de video over het gebruik van het product!

Si necesita el manual de instrucciones en español, escanee el código QR para ir a nuestro sitio web oficial y ver el vídeo sobre cómo utilizar el producto.



### ***Warm tips***

- To quickly jump to a specific chapter page, click on the relevant text on the contents page.
- You can also use the thumbnail or document outline in the top left corner to quickly find a specific page.

# CONTENTS

<i>01</i>	<b>Overview</b>	1
<i>02</i>	<b>Technical Specifications</b>	1
<i>03</i>	<b>Product Diagram</b>	2
<i>04</i>	<b>Function Introduction</b>	4
<i>05</i>	<b>Operation Instructions</b>	5
<i>06</i>	<b>APP Installation &amp; Connection</b>	6
<i>07</i>	<b>Important Notes/Warnings</b>	8
<i>08</i>	<b>Troubleshooting Guide</b>	8
<i>09</i>	<b>Customer Service</b>	10

## **01 Overview**

---

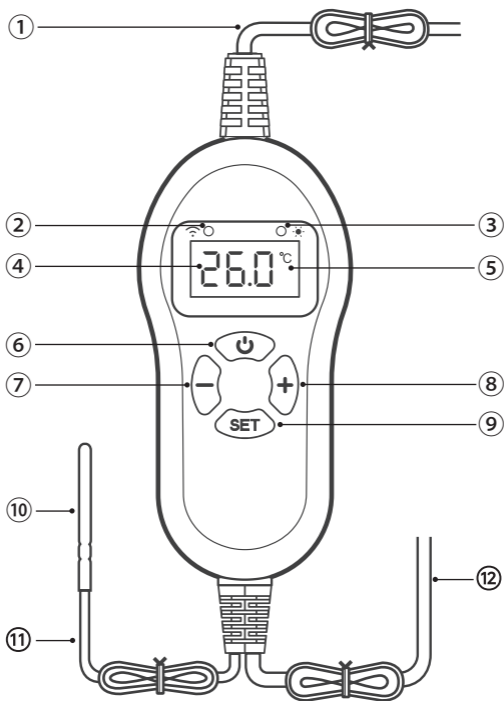
This product is designed to regulate temperature within a constant range, ensuring optimal conditions for indoor seedling germination and consistent, even heat distribution in hydroponics, home brewing, DIY fermentation and reptile terrariums.

## **02 Technical Specifications**

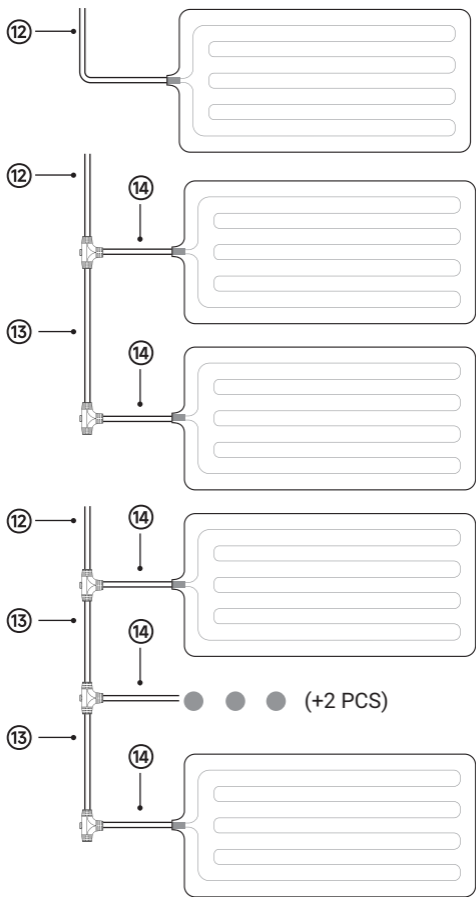
---

- **Product Name:** Heat Mat with WiFi Thermostat
- **Model Number:** LHM-30-W/ LHM-302-W/  
LHM-304-W/ LHM-306-W
- **Thermostat**  
US:
  - Input: 120VAC, 60Hz
  - Output: 120VAC, 60HzEU&UK&AU:
  - Input: 220~240VAC, 50Hz/60Hz
  - Output: 220~240VAC, 50Hz/60Hz
- **Single Seedling Heat Mat**
  - Dimensions: 10" x 20.75" (25.4 x 52.7 cm)
- **Heat Mat With Thermostat**
  - LHM-30-W Rating Power: 30W
  - LHM-302-W Rating Power: 60W
  - LHM-304-W Rating Power: 120W
  - LHM-306-W Rating Power: 180W
- **Control Temperature Range:** -5°C~42°C/23°F~108°F
- **Measurement Accuracy:** ±1.0°C /±2.0°F
- **Storage Environment**
  - Temperature: 32°F~140°F/0°C~60°C
  - Humidity: 20~80%RH (unfrozen or non-condensing)
- **Connection Method:** 2.4GHz WiFi

## 03 Product Diagram



- |                                 |                                     |
|---------------------------------|-------------------------------------|
| ① Cable Length:<br>59inch(1.5m) | ⑦ Down button                       |
| ② WiFi indicator light          | ⑧ Up button                         |
| ③ Heating indicator light       | ⑨ Set button                        |
| ④ Screen                        | ⑩ Probe Length:<br>1.59inch(40.5mm) |
| ⑤ Temperature unit              | ⑪ Cable Length:<br>78.7inch(2m)     |
| ⑥ Power button                  |                                     |






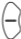
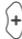

⑫ **Cable Length:** 39.37inch(1m)

⑬ **Cable Length:** 20.47inch(0.52m)

⑭ **Cable Length:** 11.81inch(0.3m)

## 04 Function Introduction




---

Buttons/ Indicator Light	Function
	Press once to power on or off; press and hold for 3 seconds to enable or disable the child lock.
	Press once to display the current target temperature and make it flash. Short press to add or subtract one numeric value while it is flashing. Long press to quickly increase or decrease the numeric value.
	Press once to make the temperature unit flash. Press the  or  button at this time to change the temperature unit. Press again to calibrate the temperature value within the range of $\pm 5^{\circ}\text{C}/\pm 9^{\circ}\text{F}$ , with a minimum calibration of $\pm 0.1^{\circ}\text{C}/\pm 0.1^{\circ}\text{F}$ . Press and hold for 3 seconds to enter the WiFi pairing state or to reset WiFi.
	Stays lit when heating; dims when not heating.

## 05 Operation Instructions

---

### 5.1 Usage of the Controller

Upon powering on, the thermostat automatically restores your previous settings instead of resetting. The factory default temperature is set to 26°C (79°F). Once enter WiFi pairing mode, the WiFi indicator light will flash. If it does not, press and hold the  button for three seconds to initiate pairing. After starting up, temperature mode is selected by default. Pressing the  or  button at this time allows you to check the current target temperature, and pressing them again allows you to adjust it. You can turn the heating mat on or off using the app or by pressing the power button. After setting, the screen will show the current temperature. You can also set and view temperatures via the app.

### 5.2 Temperature probe placement:

- When measuring the soil temperature, fully insert the temperature probe into the soil in the germination tray to ensure an accurate reading of the temperature of the plant roots.
- When measuring the surface temperature of the heating mat, attach the temperature probe to its surface with adhesive tape to prevent movement.

### 5.3 Caution

- Although the heating mat has an IP67 waterproof rating, it should still be placed on a well-drained

surface to prevent it from sitting in water for long periods of time.

- Placing the mat on an insulated surface instead of a cold floor will increase the temperature of the mat, and covering the plant tray with a moisture shield or dome will help increase the temperature in the root area and keep the roots moist.

- When the ambient temperature is 26°C, the surface temperature of the heating mat can be heated to 38.7°C~40.3°C after 30 minutes of operation, which is ideal for seedling trays.

## 06 APP Installation & Connection

---

**6.1** Search for the INKBIRD App from Google Play or App Store to get it for free, or you can scan the QR code below to download it directly.



### **NOTE:**

1. Your iOS devices must be running iOS 12.0 or above to download the app smoothly.

2. Your android devices must be running android 7.1 or above to download the app smoothly.

3. The device supports a 2.4GHz Wi-Fi router only.

4. APP Location Permission Requirement: We need to obtain your location information to discover and add nearby devices. INKBIRD promises to keep your location information strictly confidential. And your location information will only be used for the location function of the App and will not be collected, used, or disclosed to any third party. Your privacy is very important to us. We will abide by relevant laws and regulations and take reasonable security measures to protect your information security.

## **6.2 Registration**

Step1: Registering an account is necessary before using the INKBIRD app for the first time.

Step2: Open the app, select your Country/Region, and a verification code will be sent to you.

Step3: Enter the verification code to confirm your identity, and the registration is complete.

## **6.3 How to Connect**

Open the INKBIRD app and Click “+” on the top right corner to add a device. Then, follow the app instructions to complete the connection. Be careful to put the device as close as possible to the smartphone and router during the connection process.

## 07 Important Notes/Warnings

---





- Do not directly cover it with soil or growing medium. Never cover it with heat-insulating materials, as this may cause overheating.
  - Do not place the mat on wooden floors, carpets or other flammable surfaces, or inside a tray.
  - Keep out of the reach of children.
  - To reduce the risk of electric shock, only use indoors.
  - Only use in dry locations.
  - Keep away from water to avoid electric shock hazards.
  - Keep away from high temperatures.
  - The probe housing is made of stainless steel.
- Wipe clean if soiled to prevent affecting the accuracy or response time of the probe.
- Do not connect to products exceeding the rated power, as this may cause fires or similar hazards.

## 08 Troubleshooting Guide

---

Issues	Possible Solutions
Target Temperature Not Reached	1. Verify probe location: The probe must be placed inside the soil or tightly attached to the heat mat.

	<p>2. Check room temperature: The mat only heats 10–20°C above ambient temperature. Performance will drop in extremely cold conditions.</p>
Heating malfunction	<p>1. Check that the power voltage is within the specified range.</p> <p>2. Do a power-on test.</p> <p>3. If you are still experiencing problems after following the above steps, please contact our after-sales center.</p>
Incorrect probe readings	<p>1. Check that both the probe and its cable are intact.</p> <p>2. Wipe the probe and its cable clean and then use an air-dryer to blow the whole unit dry before checking if the temperature can be read correctly.</p>
Can not connect to WiFi	<p>1. Ensure the 2.4GHz WiFi signal is enabled on your router (it may need to be open in the router settings).</p> <p>2. Ensure the controller is within range of a stable and strong 2.4 GHz signal.</p> <p>3. Ensure your smartphone has Bluetooth enabled. With Bluetooth assistance, the controller can be connected faster.</p>

	<p>4. Ensure the controller is in the pairing mode, with the WiFi icon  flashing. Otherwise, please press and hold the  button for 3 seconds to enter pairing mode.</p>
<p>How to enter pairing mode/ reset WiFi?</p>	<p>Press and hold the  button for 3 seconds, and the  indicator light will flash.</p>

## **09 Customer Service**

---

This item carries a 1-year warranty against defects in either components or workmanship. During this period, products that prove to be defective will, at the discretion of LUXBIRD, be either repaired or replaced without charge. For any problems in use, please feel free to contact us at [cs@luxbird.com](mailto:cs@luxbird.com). We will do our best to help you.

# LUXEIRD

cs@luxbird.com

**Distributor 1:** DongGuan YingMeng Technology Co., Ltd.

**Address:** No.118 Fengping Road, Fenggang Town, Room 101, Building 2, Dongguan, Guangdong, China.

**Distributor 2:** shenzhenshi yingbojingtong keji youxian gongsi

**Address:** Room 503, Building 138, No. 71 Yiqing Road, Xianhu Community, Liantang Subdistrict, Luohu District, Shenzhen, Guangdong, 518000

**Distributor 3:** shenzhenshi zhuji keji youxian gongsi

**Address:** Room 402, Building 138, No. 71 Yiqing Road, Xianhu Community, Liantang Subdistrict, Luohu District, Shenzhen, Guangdong, China, 518000

**Manufacturer:** Shenzhen Lerway Technology Co.,Ltd.

**Factory Address:**Room 501, Building 138, No.71, Yiqing Road, Xianhu Community, Liantang Street, Luohu District, Shenzhen, China



**V1.0**

 **MADE IN CHINA**